

# S WING CHECK VALVE

**PN 10/16/25/40**  
1.5"-40" (40-10000 mm)  
Ductile cast iron

**LONG LIFE VALVES**



## Products

604	PN	Nominal size																			
		mm	40	50	65	80	100	125	150	200	250	300	350	400	450	500	600	700	800	900	1000
		inches	1.5"	2"	2.5"	3"	4"	4"	6"	8"	10"	12"	14"	16"	18"	20"	24"	28"	32"	36"	40"
Type 001	PN 10		*	*	*	*	*	*	*	*	*	*	*	*	*	*	*	*	*	*	*
Type 002	PN 16		*	*	*	*	*	*	*	*	*	*	*	*	*	*	*	*	*	*	*
Type 003	PN 25		*	*	*	*	*	*	*	*	*	*	*	*	*	*	*	*	*	*	*
Type 004	PN 40		*	*	*	*	*	*	*	*	*	*	*	*	*	*	*	*	*	*	*

**Flange connection: DIN, BS, ANSI**

Order example: 604 type 002 DN 600 DIN

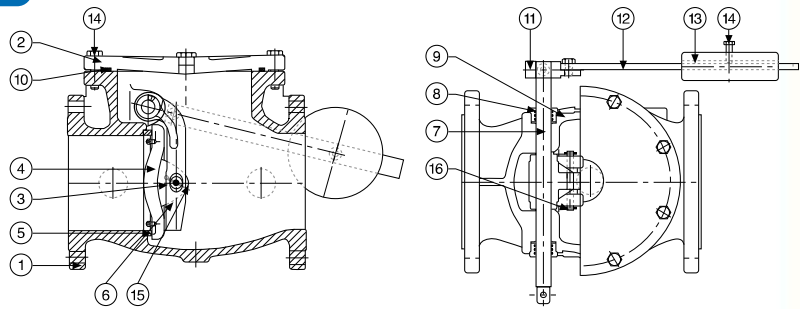
## Description

### Application

One way selfacting.  
Working temperature up to 120°C.  
Designed for installation on pump discharge to prevent back flow.  
Open on normal flow conditions.  
Can control the flap closure by the lever and counterweight.

### Advantages

- Minimum working pressure - from 0.3 bar.
- Can be used for hot and cold water, liquid oil, and Sewage systems.
- Drip tight closing in case of back flow.
- Wide opening at valve top for easy maintenance and seat replacement, without any need to remove valve from the line.
- Can be installed horizontally or vertically position (depending on counterweight).
- Full flow passage.
- Also available with limit switch arrangement on the valve, (type 604E).
- Can be provide with E.P.D.M/Brass seat.
- Body made of ductile iron to withstand sudden water hammers.
- Thru shafts design, gives balanced movement, reduces stress and wear on inner components of the valve which increases the valve life cycle.
- The Lever & Weight (L/W) can be fixed on both sides or either of the side of the valve and enables for proper use of the available space in the line.



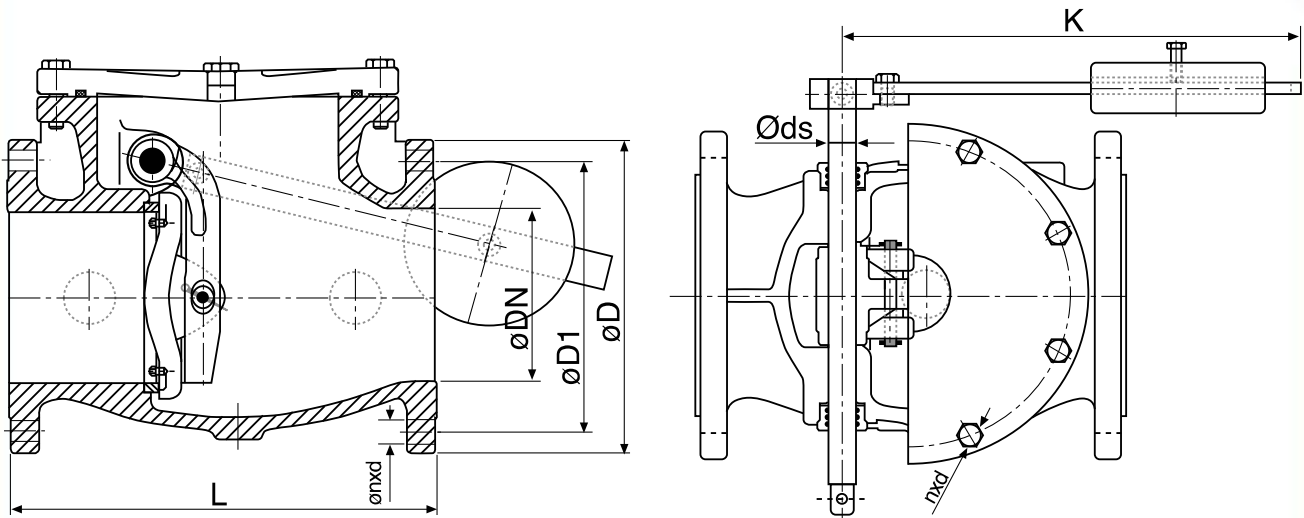
### Material Specification

No.	Part Name	Material
1	Body	Ductile iron - GGG-50
2	Cover	Ductile iron - GGG-50
3	Disc	Ductile iron - GGG-50
4	Seal Disc	Buna-N / EPDM / Brass
5	Seal Retainer	Brass
6	Disc Bracet	Ductile iron - GGG-50
7	Stem	Stainless steel X20 Cr13
8	Nut	Ms-58
9	Packing	Teflon
10	Gasket	Perbunan
11	Lever connection	Cast iron GG-25
12	Lever	ST-37
13	Lever weight	Cast iron GG-25
14	Screw	8.8
15	Split Pins	Steel
16	Disc pin	Stainless steel X20 Cr13

Applications for:	Drinking water	Air cooling system	Hot water	Steam	Water treatment	Sewage water	Sea water	Desalination plants	Chemical industry	Food industry	Pulp/Paper industry	Dry air	Gas	Vacuum
	✓	✓	✓		✓	✓				✓		✓		

# 604 SWING CHECK VALVE PN 10/16/25/40

## Dimensions (mm)



### 604 Dimensions Table

Dimension	DN																		
	mm	40	50	65	80	100	125	150	200	250	300	350	400	500	600	700	800	900	1000
	inches	1.5"	2"	2.5"	3"	4"	5"	6"	8"	10"	12"	14"	16"	20"	24"	28"	32"	36"	40"
General	A	95	100	115	135	145	160	180	270	320	350	435	475	570	670	760	860	970	1050
	L	180	200	240	260	300	350	400	500	600	700	800	900	1100	1300	1500	1700	1900	2100
	K	200	200	300	300	305	400	400	485	500	500	700	700	950	1100	1100	1100	1200	1200
	dsø [Kg]	12 10.2	12 17	16 23	16 25	16 34.4	22 66	22 87	22 185	22 300	26 409	26 570	26 900	40 1302	40 1500	50 -	60 -	65 -	70 -
Flange Dim AS-2129 (BS10)	D	150	165	185	200	220	250	285	340	405	460	520	580	715	840	910	1025	1125	1255
	D1	98	114	127	146	178	210	235	292	356	406	470	521	641	756	845	984	1092	1175
	nxd	4x14	4x18	4x18	4x18	4x18	8x18	8x18	8x18	8x22	12x22	12x26	12x26	16x26	16x30	20x30	20x36	24x36	24x36
Flange Dim EN-1092-2 ISO16	D	150	165	185	200	220	250	285	340	405	460	520	580	715	840	910	1025	1125	1255
	D1	110	125	145	160	180	210	240	295	355	410	470	525	650	770	840	950	1050	1170
	nxd	4x19	4x19	4x19	8x19	8x19	8x19	8x23	12x23	12x28	12x28	16x28	16x31	20x34	20x37	24x37	24x40	28x40	28x43

Dimensions and weight can be changed without notification.